

ER36D, ER48D

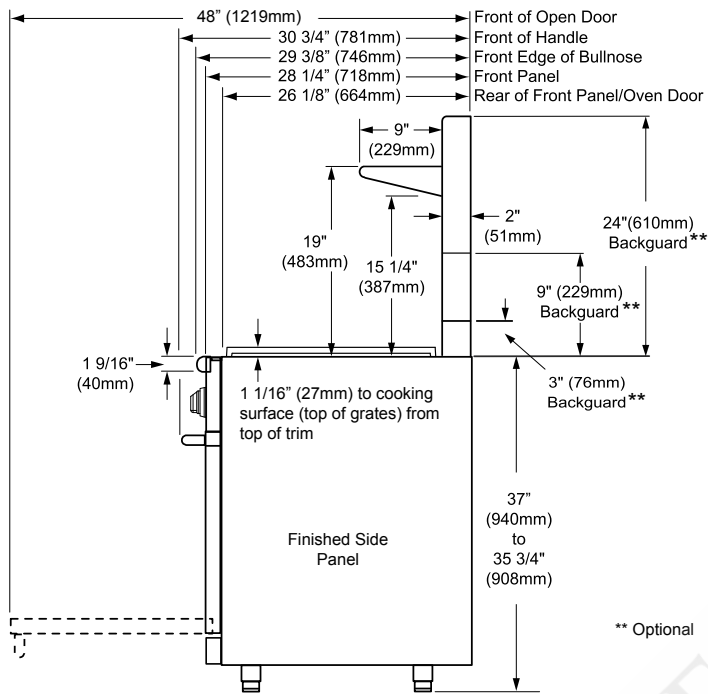


Revised
03/10/09

Epicure® Ranges

1/2

PLANNING GUIDE



Width: ER36D - 35 7/8" (911mm)
ER48D - 47 7/8" (1216mm)

All tolerances: +/- 1/16" (+/- 1.6mm) unless otherwise stated

ELECTRIC CIRCUIT REQUIREMENTS

Range Model	Circuit Required	Total Connected Load
ER36D	240 Vac, 4-wire* 60 Hz, 30 Amp. (Min.) 40 Amp. (Recommended)	6.5 kW (28 Amp.)
ER48D	240 Vac, 4-wire* 60 Hz, 50 Amp.	10.0 kW (42 Amp.)

* 4-wire, two 120 Vac hot (L1 and L2), one neutral, one ground

GAS SUPPLY PRESSURE REQUIREMENTS*

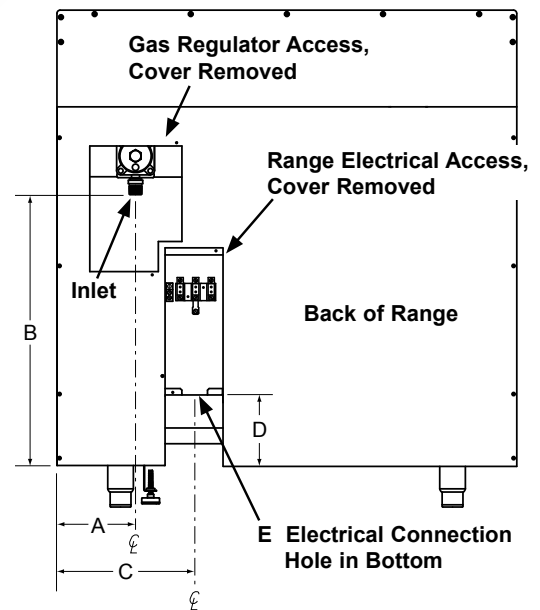
Gas Type	Manifold Pressure	Minimum Gas Supply Pressure
Natural Gas	5" Water Column	6" Water Column
Propane (LP)	10" Water Column	11" Water Column

* Maximum gas supply pressure 1/2 p.s.i. for all models

GAS - ELECTRICAL ACCESS DIMENSIONS

Model	A	B	C	D	E*
ER36D	5 5/8" (142.9mm)	18 3/8" (466.7mm)	10 3/4" (273.0mm)	13 11/16" (347.7mm)	7/8" (22.2mm)
ER48D	3 13/16" (96.8mm)	18 11/16" (474.7mm)	9 3/8" (238.1mm)	13 3/4" (349.3mm)	1 1/8" (28.6mm)

* The diameter on models equipped for use in Canada is 1/4" (6.4mm) larger than those stated. Canadian units come from the factory pre-wired with an appliance cord. When installing an appliance cord on models that are not pre-wired, the hole size must be increased to 1 1/8" (1 3/8" for model ER48D) by removing the conduit bracket inside the range electrical access box.



NOTES:

- When installing a backguard, always install it before sliding the range into place.

WARNING

- Observe all governing codes and ordinances during planning and installation. Contact your local building department for further information.
- This appliance must be installed in accordance with the accompanying installation instructions.

ER36D, ER48D



Revised
03/10/09

Epicure® Ranges

PLANNING GUIDE

2/2

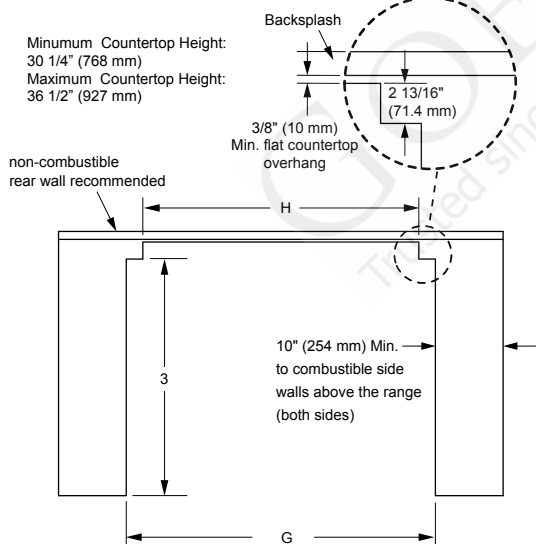
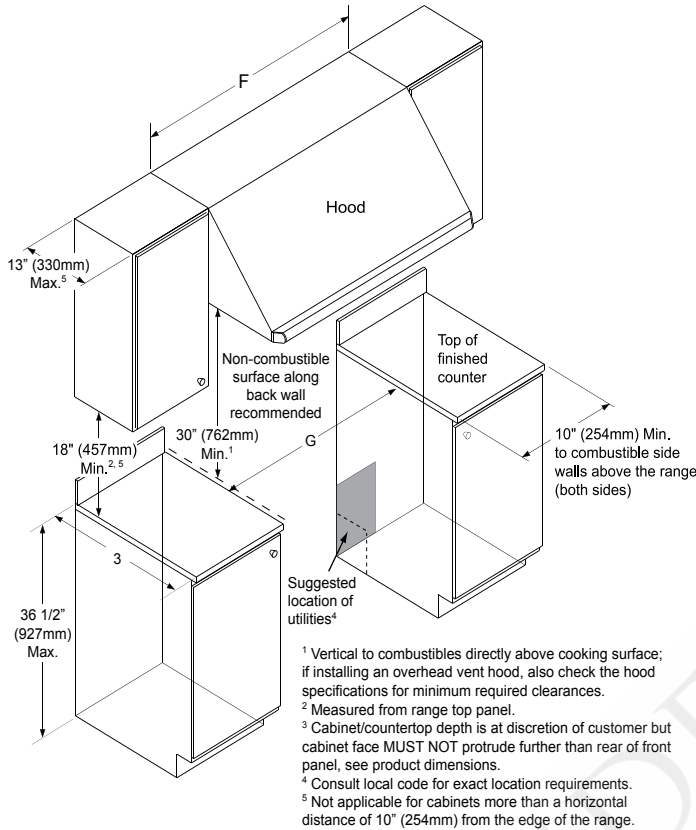
Tolerances: +1/16", -0, (+1.6mm, -0) unless otherwise stated

Gas and Electrical Service

- ◇ For replacement purposes, the location of the existing utilities may be utilized provided they do not interfere with the sides or rear of the range. Check local building codes for permissible locations.
- ◇ An external manual shut-off valve must be installed between the gas inlet and the range, for the purpose of turning on or shutting off gas to the appliance.

The installation must allow for the following:

- ◇ Access to the gas shut-off valve when the unit is installed.
- ◇ Access to the remote circuit breaker panel/fuse box, when the range is in place.
- ◇ The gas supply piping and shut-off valve, and the electrical junction box/receptacle must be located so they do not interfere with the range when it is installed.
- ◇ The junction box and gas shut off valve must be located so that the range can be pulled out for service while the appliance remains connected.

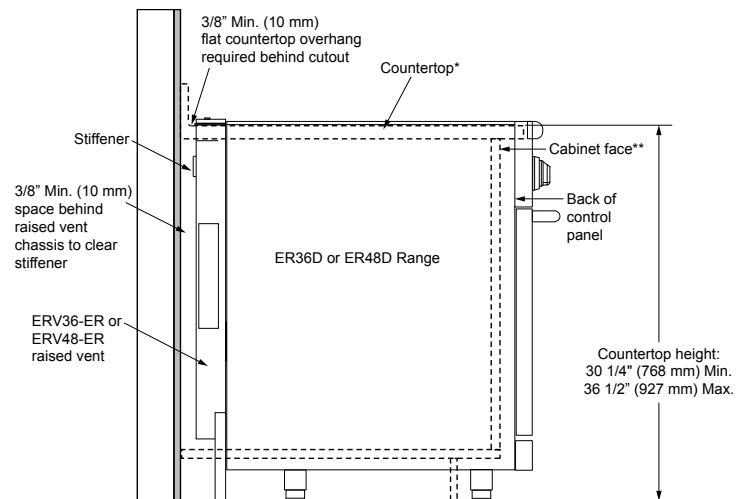


**CUTOUT WITH OPTIONAL ERV RAISED VENT
(TOP VIEW)**

APPROVED RAISED VENT MODELS

Raised Vent Model	For use with Range Model
ERV36-ER	ER36D
ERV48-ER	ER48D

CUT-OUT DIMENSIONS			
Range Model	"F"	"G"	"H"
ER36D	42" (1067mm)* 36" (914mm)**	36 1/16" (916mm)**	33 1/2" (848mm)
ER48D	54" (1372mm)* 48" (1219mm)**	48 1/16" (1221mm)**	43 1/2" (1102mm)
* Recommended **Minimum			



* IMPORTANT: See "CUTOUT WITH OPTIONAL ERV RAISED VENT" for countertop cutout dimensions.

** IMPORTANT: Cabinet face must not stick out further than back of control panel.

RAISED VENT INSTALLATION SIDE VIEW